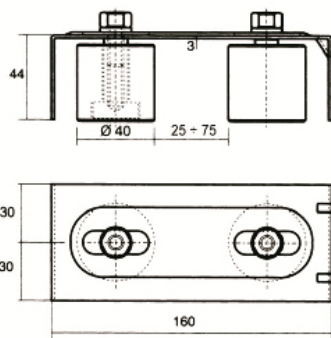







Materiale: Acciaio Zincato




 2 Nylon or brass adjustable rollers top bracket

 Support supérieur à 2 olives réglables en nylon ou laiton

 Soporte guía superior regulable con 2 rodillos de nylon o latón

 Верхняя направляющая (регулируемая) с 2 роликами

 Obere, verstellbare Torführungsplatte mit Führungsrollen aus Nylon oder Messing



Art.	Var.	Peso(g)	Conf.
-	Variation	Weight(g)	Pack
152/2	Nylon	450	12
152/3	Ottone Brass	1.750	12

Per oliva in nylon bianca indicare dopo il codice la lettera "B" Es. 154/1.2B

To order white cylindrical roller, add "B" at the end of the code. Ex.: 154/1.2B