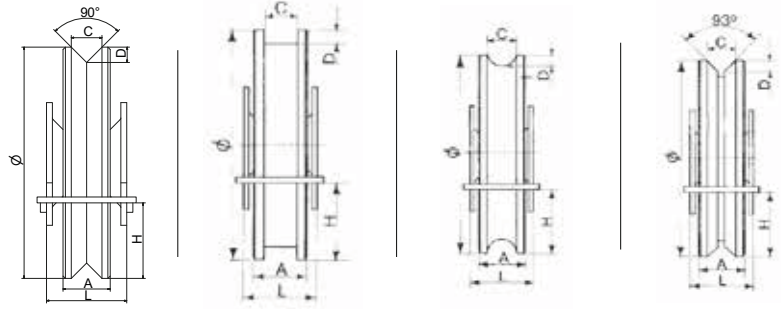




Materiale: Acciaio Zincato / Cataforesi / Nylon / Inox



**2 Cuscinetti schermati**

2 Ball bearings | 2 Roulements | 2 Rodamientos



Galvanized extractable steel wheel with plates support

Galet extractible en acier zingué avec support à platines

Rueda extraíble con soporte y placa atornillar o soldar

Колесо с внутренней опорой U и защитной пластиной

Schiebetore Rolle mit herausziehbarer Stützplatte und zwei Kugellagern

**N.B. Per ordinare la versione Cataforesi aggiungere la lettera "C" alla fine del codice Es: 111/5/17/C.**

**Le versioni nylon sono indicate con la lettera "N" finale**

**To order the Cataphoresis model, add "C" at the end of the code. Ex.: 110/5/17/C**

**The nylon versions are indicated with the final letter "N"**

INOX NYLON



Art.	Ø	A	C	D	H	L	Peso(g)	Conf.
-	-	-	-	-	-	-	Weight(g)	Pack
220/10/32/2	100	32	20	7,5	32	44	1.680	8
220/12/32/2	120	32	20	7,5	35	44	2.650	6
220/14/32/2	140	32	20	7,5	45	44	3.530	4



Art.	Ø	A	C	D	H	L	Peso(g)	Conf.
-	-	-	-	-	-	-	Weight(g)	Pack
221/10/32/2	100	32	20	10	32	44	1.610	8
221/12/32/2	120	32	20	10	35	44	2.540	6
221/14/32/2	140	32	20	10	45	44	3.410	4



Art.	Ø	A	C	D	H	L	Peso(g)	Conf.
-	-	-	-	-	-	-	Weight(g)	Pack
227/10/32/2	100	32	20	10	32	44	1.680	8
227/12/32/2	120	32	20	10	35	44	2.650	6
227/14/32/2	140	32	20	10	45	44	3.530	4



Art.	Ø	A	C	D	H	L	Peso(g)	Conf.
-	-	-	-	-	-	-	Weight(g)	Pack
222/10/32/2	100	32	20	10	32	44	1.520	8
222/12/32/2	120	32	20	10	35	44	1.970	6
222/14/32/2	140	32	20	10	45	44	2.720	4

Profilato scatolato cancello

