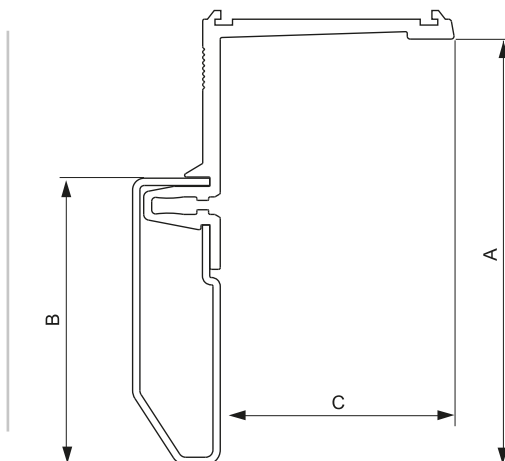


ARTIK



Materiale: Acciaio Zincato + Materiale Plastico



Temperature profile counterframe

Profil contrecadre thermique

Perfil armazón térmico

Профиль для термической контррамы

Thermische Rahmenprofil



Art.	A	B	C	Plastica	Ferro	L	Peso(g/m)	Conf.	Fascio
-	-	-	-	Plastic	Iron	-	Weight(g/m)	Pack	Bundle
8005/1.20	73	49	20	8001/2	8000/2	5000	1.320	40 barre	40 x 4
8005/2.20	64	40	20	8001/2	8000/1	5000	1.150	40 barre	40 x 4
8005/3.20	61	49	20	8001/1	8000/2	5000	1.130	40 barre	40 x 4
8005/4.20	52	40	20	8001/1	8000/1	5000	1.120	40 barre	40 x 4
8005/5.20	45	33	20	8001/1	8000/3	5000	1.000	40 barre	40 x 4
8005/6.20	55	43	20	8001/1	8000/4	5000	1.180	40 barre	40 x 4
8005/7.20	57	33	20	8001/2	8000/3	5000	1.040	40 barre	40 x 4
8005/8.20	67	43	20	8001/2	8000/4	5000	1.230	40 barre	40 x 4
8005/1.40	73	49	40	8001/4	8000/2	5000	1.400	40 barre	40 x 4
8005/2.40	64	40	40	8001/4	8000/1	5000	1.230	40 barre	40 x 4
8005/3.40	61	49	40	8001/3	8000/2	5000	1.350	40 barre	40 x 4
8005/4.40	52	40	40	8001/3	8000/1	5000	1.180	40 barre	40 x 4
8005/5.40	45	33	40	8001/3	8000/3	5000	1.060	40 barre	40 x 4
8005/6.40	55	43	40	8001/3	8000/4	5000	1.260	40 barre	40 x 4
8005/7.40	57	33	40	8001/4	8000/3	5000	1.110	40 barre	40 x 4
8005/8.40	67	43	40	8001/4	8000/4	5000	1.300	40 barre	40 x 4