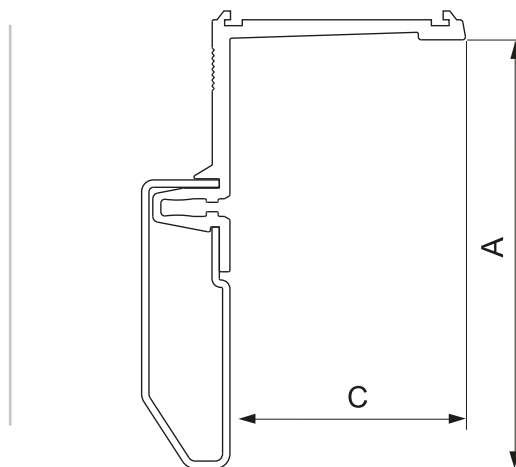
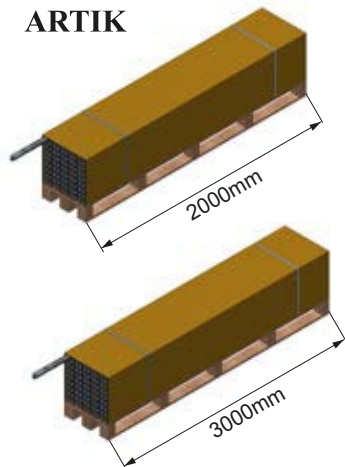


ARTIK



Temperature profile counterframe

Profil contrecadre thermique

Perfil armazón térmico

Профиль для термической контррамы

Thermische Rahmenprofil

Art.	A	B	L	Peso(g/m)	Conf.
-	-	-	-	Weight(g/m)	Pack
8005/1.20/2	73	20	2000	1.320	80 barre
8005/2.20/2	64	20	2000	1.150	80 barre
8005/3.20/2	61	20	2000	1.130	80 barre
8005/4.20/2	52	20	2000	1.120	80 barre
8005/5.20/2	45	20	2000	1.000	80 barre
8005/6.20/2	55	20	2000	1.180	80 barre
8005/7.20/2	57	20	2000	1.040	80 barre
8005/8.20/2	67	20	2000	1.230	80 barre
8005/1.40/2	73	40	2000	1.400	80 barre
8005/2.40/2	64	40	2000	1.230	80 barre
8005/3.40/2	61	40	2000	1.350	80 barre
8005/4.40/2	52	40	2000	1.180	80 barre
8005/5.40/2	45	40	2000	1.060	80 barre
8005/6.40/2	55	40	2000	1.260	80 barre
8005/7.40/2	57	40	2000	1.110	80 barre
8005/8.40/2	67	40	2000	1.300	80 barre
8005/1.20/3	73	20	3000	1.320	80 barre
8005/2.20/3	64	20	3000	1.150	80 barre
8005/3.20/3	61	20	3000	1.130	80 barre
8005/4.20/3	52	20	3000	1.120	80 barre
8005/5.20/3	45	20	3000	1.000	80 barre
8005/6.20/3	55	20	3000	1.180	80 barre
8005/7.20/3	57	20	3000	1.040	80 barre
8005/8.20/3	67	20	3000	1.230	80 barre
8005/1.40/3	73	40	3000	1.400	80 barre
8005/2.40/3	64	40	3000	1.230	80 barre
8005/3.40/3	61	40	3000	1.350	80 barre
8005/4.40/3	52	40	3000	1.180	80 barre
8005/5.40/3	45	40	3000	1.060	80 barre
8005/6.40/3	55	40	3000	1.260	80 barre
8005/7.40/3	57	40	3000	1.110	80 barre
8005/8.40/3	67	40	3000	1.300	80 barre