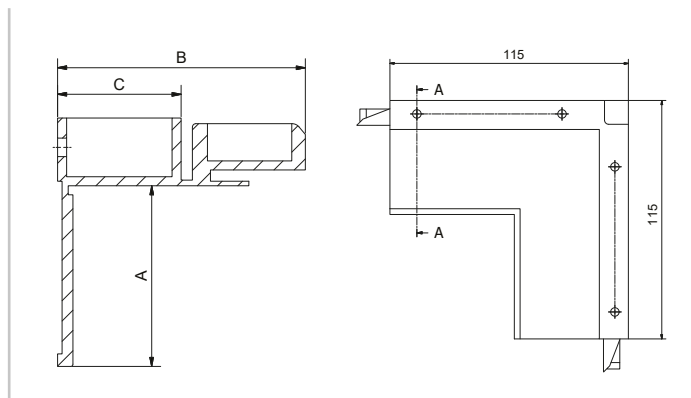




Materiale: PVC



ARTIK corner junction

ARTIK equerre de jonction

ARTIK esquadra de unión

Угол ARTIK

ARTIK Verbindungswinkel



Art.	A	B	C	Per profilo ARTIK	Peso(g)	Conf.
-	-	-	-	For ARTIK profile	Weight(g)	Pack
<b>8024/1</b>	20	43	15.5	61 - 52 - 45 - 55	60	10
<b>8024/2</b>	20	55	27.5	73 - 64 - 57 - 67	70	10
<b>8024/3</b>	40	43	15.5	61 - 52 - 45 - 55	70	10
<b>8024/4</b>	40	55	27.5	73 - 64 - 57 - 67	75	10
<b>8024/5</b>	49	43	15.5	61 - 52 - 45 - 55	70	10
<b>8024/6</b>	49	55	27.5	73 - 64 - 57 - 67	80	10