



Lower hinge

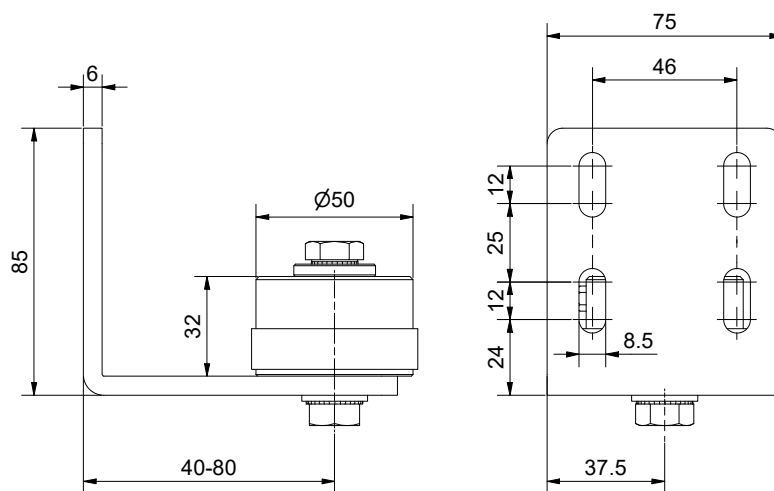
Pivot inférieure

Bisagra inferior

Нижняя петля

Unteres Schamier

Materiale: Acciaio zincato



Art.	Peso(g)	Conf.	Imb.
-	Weight(g)	Pack	Packaging
AG20/I	1032.4	1	6