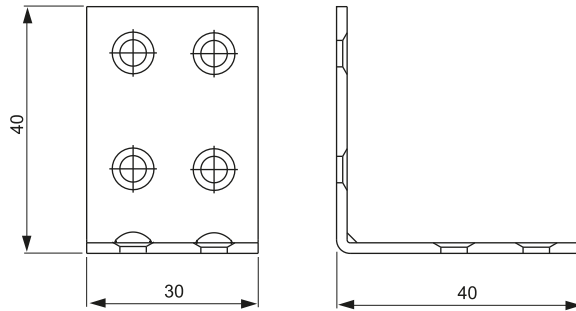




Materiale: Acciaio Zincato



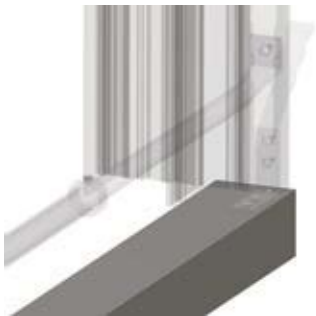
Corner plate 30x40x1,8mm
zinked steel

Angulaire 30x40x1,8mm
En acier zingué

Placa angular 30x40x1,8mm
en acero cincado

Угол для фиксации нижнего
профиля 30x40x1,8mm

Winkelplatte um die Bodenstange
zu befestigen



| Art. | Sp. | Peso(g) | Conf. |
|-----------------------|-----|-----------|-------|
| - | - | Weight(g) | Pack |
| LE291007604021 | 2 | 31 | 50 |