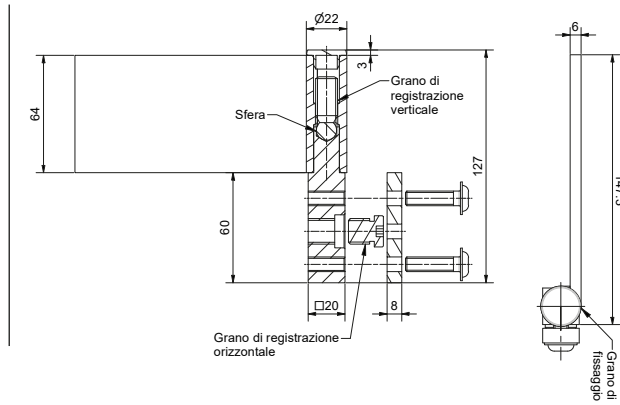


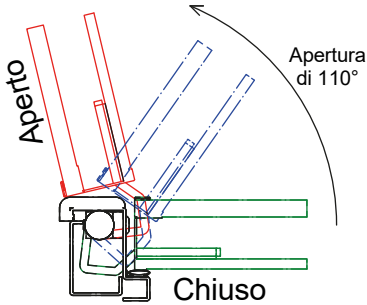


**Patented**

Materiale: Acciaio zincato



- Straight wing concealed ambidextrous hinge*
- Charnière ambidextre cachée à aile droite*
- Bisagra ambidestra oculta con ala recta*
- Петля двусторонняя скрытая*
- Gerader Flügel, verdecktes, beidhändiges Scharnier*



Art.	Peso(g)	Conf.
-	Weight(g)	Pack
<b>Art.715/D</b>	842	8