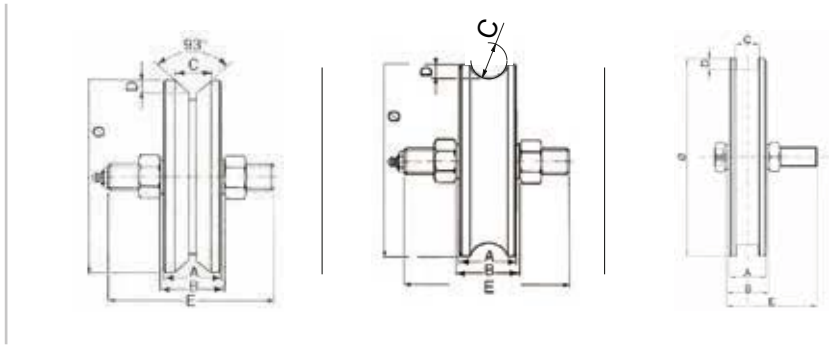




Materiale: Acciaio Zincato



2 Cuscinetti schermati

2 Ball bearings | 2 Roulements | 2 Rodamientos



Two ball bearings galvanized steel wheel with lubricator

Galet en acier zingué avec pivot graisseur, deux roulements

Rueda en acero cincado con dos rodamientos y lubricador

Колесо с двумя подшипниками V

Schiebetrole Rolle aus verzinktem Stahl mit Schmiernippel und zwei Kugellager

N.B. Per ordinare la versione Cataforesi aggiungere la lettera "C" alla fine del codice Es: 111/5/17/C

Le versioni nylon sono indicate con la lettera "N" finale

To order the Cataphoresis model, add "C" at the end of the code. Ex.: 110/5/17/C

The nylon versions are indicated with the final letter "N"

INOX NYLON



Art.	Ø	A	B	C	D	E	Peso(g)	Conf.
-	-	-	-	-	-	-	Weight(g)	Pack
100/12/38	120	38	44	26	10,5	18X90	2.720	4
100/14/38	140	38	44	26	10,5	18X90	3.550	4
100/16/38	160	38	44	26	10,5	18X90	5.030	4
100/20/38	200	38	44	26	10,5	18X90	8.310	2
100/25/38	250	38	44	26	10,5	18X90	13.050	2



Art.	Ø	A	B	C	D	E	Peso(g)	Conf.
-	-	-	-	-	-	-	Weight(g)	Pack
101/12/38	120	38	44	25	12	18X90	2.570	4
101/14/38	140	38	44	25	12	18X90	3.400	4
101/16/38	160	38	44	25	12	18X90	4.870	4
101/20/38	200	38	44	25	12	18X90	8.060	2
101/25/38	250	38	44	25	12	18X90	12.840	2



Art.	Ø	A	B	C	D	E	Peso(g)	Conf.
-	-	-	-	-	-	-	Weight(g)	Pack
102/12/38	120	38	44	25	12	18X90	2.450	4
102/14/38	140	38	44	25	12	18X90	3.200	4
102/16/38	160	38	44	25	12	18X90	3.900	4
102/20/38	200	38	44	25	12	18X90	5.900	2
102/25/38	250	38	44	25	12	18X90	9.400	2

