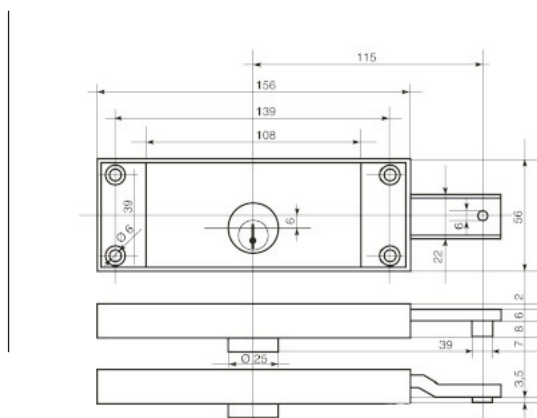
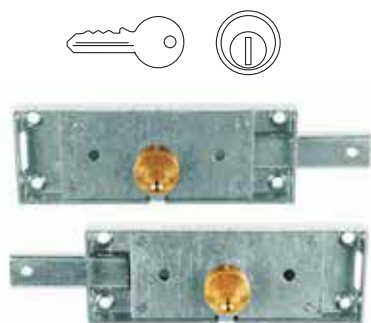


**Kassel**



Materiale: Acciaio Zincato

Side cylinder lock for rolling shutter complete with 2 keys and pin for bar fixing. Bar stroke mm24, straight or bended bars hooking

Serrure latérale avec cylindre pour rideaux roulants avec 2 clefs et pivot pour fixation barres. Course barres mm24, accrochage barres droit ou plié

Cerradura lateral con cilindro para persianas, completa 2 llaves y perno de fijación barra. Recorrido barra mm24, desviador derecho o plegado

Замок в комплекте с 2 ключами. Ход ригелей 20 мм. С ровным или изогнутым курсором.

Roll-Garagentorschloss, Seitlich Schließend, mit Zylinder, zwei Schlüsseln und Ziehriegel. Riegelbewegung: 24mm. Gekröpfte oder geLaufrollee Riegel

| Art.    | Mano                  | Cursore                        | Cilindro               | Peso(g)   | Conf. |
|---------|-----------------------|--------------------------------|------------------------|-----------|-------|
| -       | Hand                  | Slider                         | Cylinder               | Weight(g) | Pack  |
| 5301    | Dx<br>Right           | Dritto<br>Straight             | Normale<br>Normal      | 500       | 14    |
| 5302    | Sx<br>Left            | Dritto<br>Straight             | Normale<br>Normal      | 500       | 14    |
| 5311    | Dx<br>Right           | Piegato<br>Bent                | Normale<br>Normal      | 500       | 14    |
| 5312    | Sx<br>Left            | Piegato<br>Bent                | Normale<br>Normal      | 500       | 14    |
| 5311/P  | Dx<br>Right           | Piegato Prol.<br>Bent extended | Normale<br>Normal      | 500       | 14    |
| 5312/P  | Sx<br>Left            | Piegato Prol.<br>Bent extended | Normale<br>Normal      | 500       | 14    |
| 5301/L  | Dx<br>Right           | Dritto<br>Straight             | Prolungato<br>Extended | 500       | 14    |
| 5302/L  | Sx<br>Left            | Dritto<br>Straight             | Prolungato<br>Extended | 500       | 14    |
| 5311/L  | Dx<br>Right           | Piegato<br>Bent                | Prolungato<br>Extended | 500       | 14    |
| 5312/L  | Sx<br>Left            | Piegato<br>Bent                | Prolungato<br>Extended | 500       | 14    |
| 5311/PL | Dx<br>Right           | Piegato Prol.<br>Bent extended | Prolungato<br>Extended | 500       | 14    |
| 5312/PL | Sx<br>Left            | Piegato Prol.<br>Bent extended | Prolungato<br>Extended | 500       | 14    |
| 5400    | Dx+Sx<br>Right + Left | Dritti<br>Straight             | Normale<br>Normal      | 1.080     | 8     |
| 5410    | Dx+Sx<br>Right + Left | Piegati<br>Bent                | Normale<br>Normal      | 1.080     | 8     |
| 5410/P  | Dx+Sx<br>Right + Left | Piegato Prol.<br>Bent extended | Normale<br>Normal      | 1.080     | 8     |
| 5400/L  | Dx+Sx<br>Right + Left | Dritti<br>Straight             | Prolungato<br>Extended | 1.080     | 8     |
| 5410/L  | Dx+Sx<br>Right + Left | Piegati<br>Bent                | Prolungato<br>Extended | 1.080     | 8     |
| 5410/PL | Dx+Sx<br>Right + Left | Piegato Prol.<br>Bent extended | Prolungato<br>Extended | 1.080     | 8     |